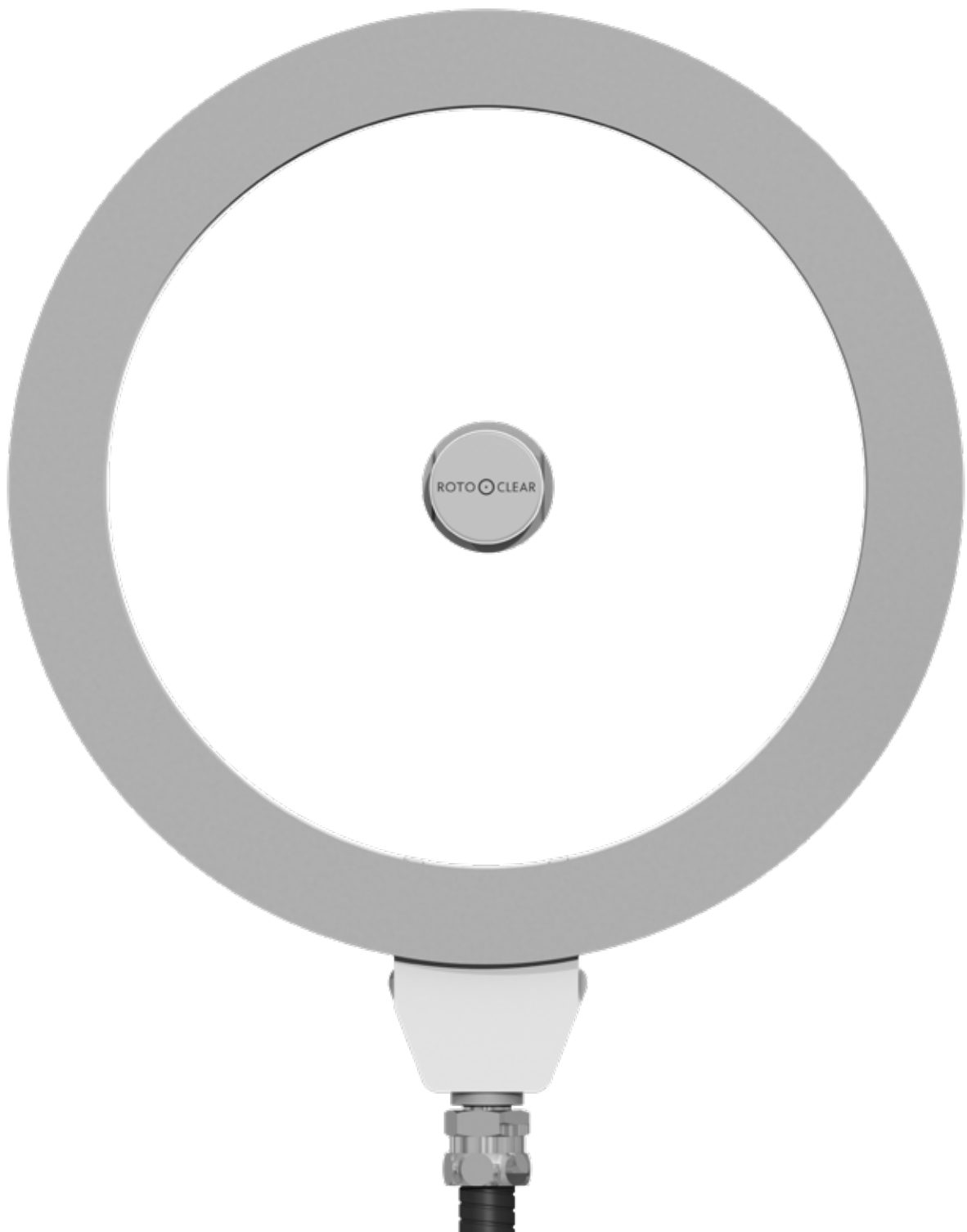


ROTO CLEAR

your process
at a glance





A clear view of the production processes under toughest milling conditions. The spinning window is an approved system to keep inspection window clean and thus to ensure continuous control of work flow. Rotoclear is suitable for all kinds of metal cutting machines such as turning centers, milling machines, including machining centers and test stands.

A rotating disc flings off striking coolants and cuttings, whether water-soluble or water-insoluble. This enables the operator to always have a clear view into the processing area – safety according to safety instructions currently effective being guaranteed.



Worldwide lowest installation height
Maximum field of view
Revolutionary drive concept
Change of rotor in less than a minute
Easy to retrofit

Screwable Version

Suitable for polycarbonate windows

10 small holes have to be drilled into the windows (drilling template included). The lead out flange must be placed from the outside and Rotoclear mounted from the inside (see [manual](#), page 8).

The screwing version has a price advantage and can be mounted faster. But it can only be used for polycarbonate windows.

Order number: 76314

Total weight incl. packaging: 5,2 kg

Dimensions: 35x32x14 cm

Included in delivery:

- 1x Rotoclear S3 – Basic Unit (Rotor and Stator)
- 1x Screwable Flange (clamping range 6-17mm)
- 1x Position Template
- 1x Protective Hose (2.0m, SPR-PA 17x13)
- 1x Air Hose (8,5m, 8 x 1mm)
- 1x Power Cable (10m, 2 x 0,75mm²)
- 1x Adapter electric-pneumatic (protective hose)
- 1x Hose Fitting (US-M 17)
- 2x Pipe Fitting (M16 x 1,5/13, 12mm)
- 1x Elbow Fitting (M16 x 1,5)
- 1x Manual de-en
- 10x Cylinder Bolt (M5x25 TX10 VA super flat head)

Adhesive Version

Suitable for polycarbonate windows and laminated safety glass

A bonding flange is glued from the inside on the window. Rotoclear is mounted onto that flange (see [manual](#), page 7). If glued on a

polycarbonate window, the gluing area must be primed first. On glass it is possible to glue directly. Absolute cleanliness is required in any case.

Order number: 76316

Total weight incl. packaging: 5,7 kg

Dimensions: 35x32x14 cm

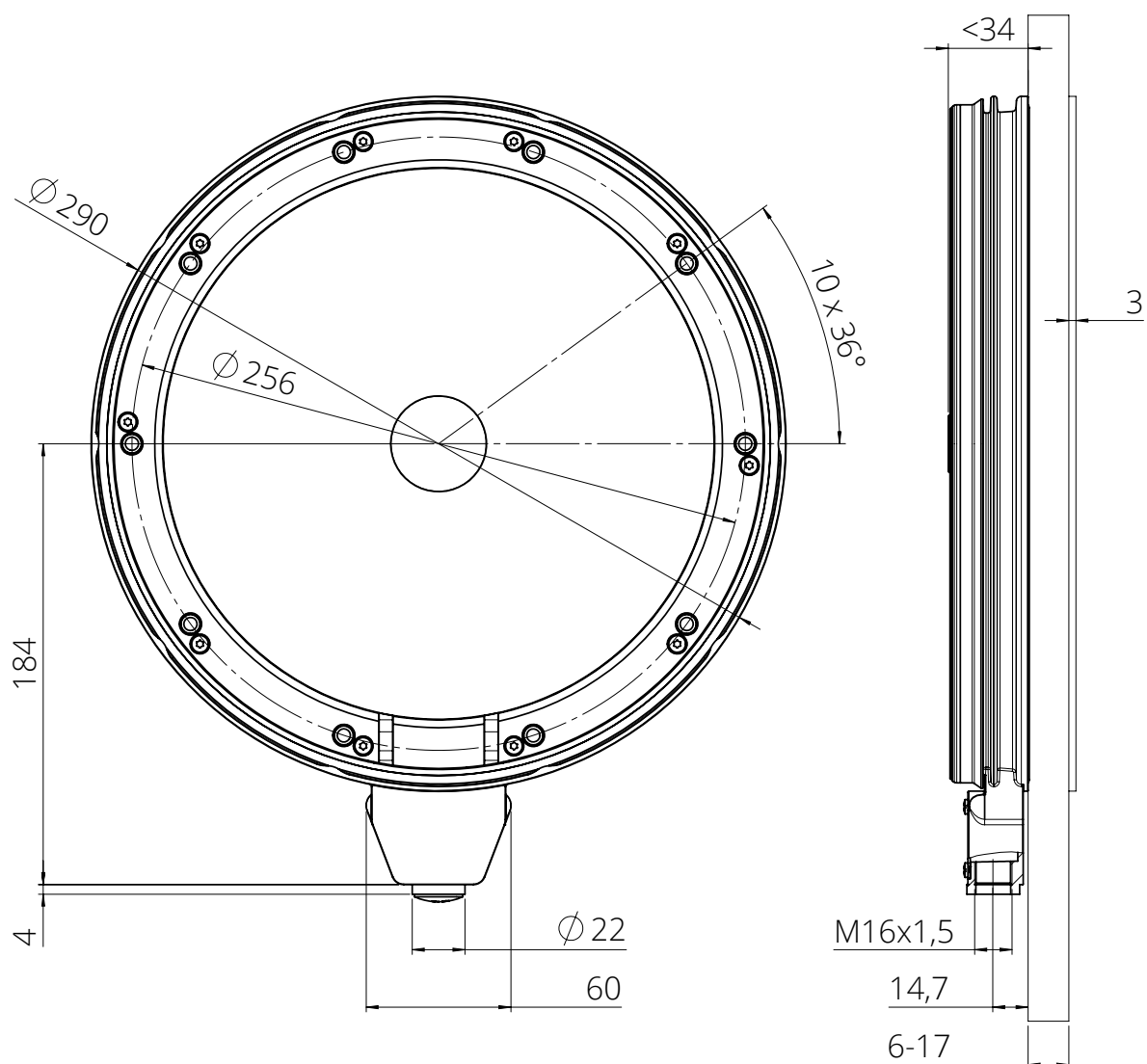
Included in delivery:

- 1x Rotoclear S3 – Basic Unit (Rotor and Stator)
- 1x Bonding Flange with Cover
- 1x Two Component Adhesive (Teroson MS 9399, 2x25ml)
- 1x Cleaning Towel (3M, VHB100)
- 1x Dosing Gun for 2C-Adhesive
- 1x Position Template
- 1x Protective Hose (2.0m, SPR-PA 17x13)
- 1x Air Hose (8,5m, 8 x 1mm)
- 1x Power Cable (10m, 2 x 0,75mm²)
- 1x Adapter electric-pneumatic (protective hose)
- 1x Hose Fitting (US-M 17)
- 2x Pipe Fitting (M16 x 1,5/13, 12mm)
- 1x Elbow Fitting (M16 x 1,5)
- 1x Primer (Terostat 8519 PU, 10ml)
- 1x Pad (for application of Primer)
- 1x Manual de-en
- 1x Gluing Manual
- 10x Cylinder Bolt (M5x25 TX10 VA super flat head)

Installation

Nearly every machine can be retrofitted with Rotoclear. It is mounted on the inside of the original machine window. First you will look through the machine window, then through the device. It

has a thickness of 33.5mm. Required space on the inside of the machine window is a minimum of 34mm, so that the device is not colliding when opening the machine door.



Accessories

Additionally we offer a manometer and a gate valve to adjust the sealing air directly at the stator. This guarantees

an absolutely tight system with the lowest air consumption possible.

Manometer

Measurement equipment to check pressure at connecting box

Order number: 78973

Straight Way Valve

For exact adjustment of sealing air

Order number: 89737

To adjust the pressure you just need either the gate valve or alternatively you can use any commercially

available pressure reducing valve. For further information please check the [manual](#) on page 11 or the [specifications](#).

Special-purpose solutions

Special-purpose kits for the installation of Rotoclear into a sheet metal wall or into a curved window are available.

Also available is a kit to replace our former models Rotoclear

S and S2 by Rotoclear S3.

For further information or technical advice regarding installation, do not hesitate to contact us or visit us on rotoclear.com.

Order

Sales and distribution

Markus Reiss

Phone: +49 6221 506-192

Fax: +49 6221 506-29129

markus.reiss@autz-herrmann.de

Development

Manuel Linnenschmidt

Phone: +49 6221 506-133

Fax: +49 6221 506-29133

manuel.linnenschmidt@autz-herrmann.de

Distributors

rotoclear.com/distributors

Delivery Times

Usually all our products are available from stock and can be delivered within one working week.

Please ask for delivery times for higher quantities separately.

Shipment and Conditions

Prices subject to VAT tax.
Payment within 30 days net.

EU-wide: Free Delivery (CIP)
World-wide: Delivery ex works including packaging (EXW)

We confirm to provide our services and supplies solely on the basis of our [General Conditions of Sale](#).
No further agreements exist.

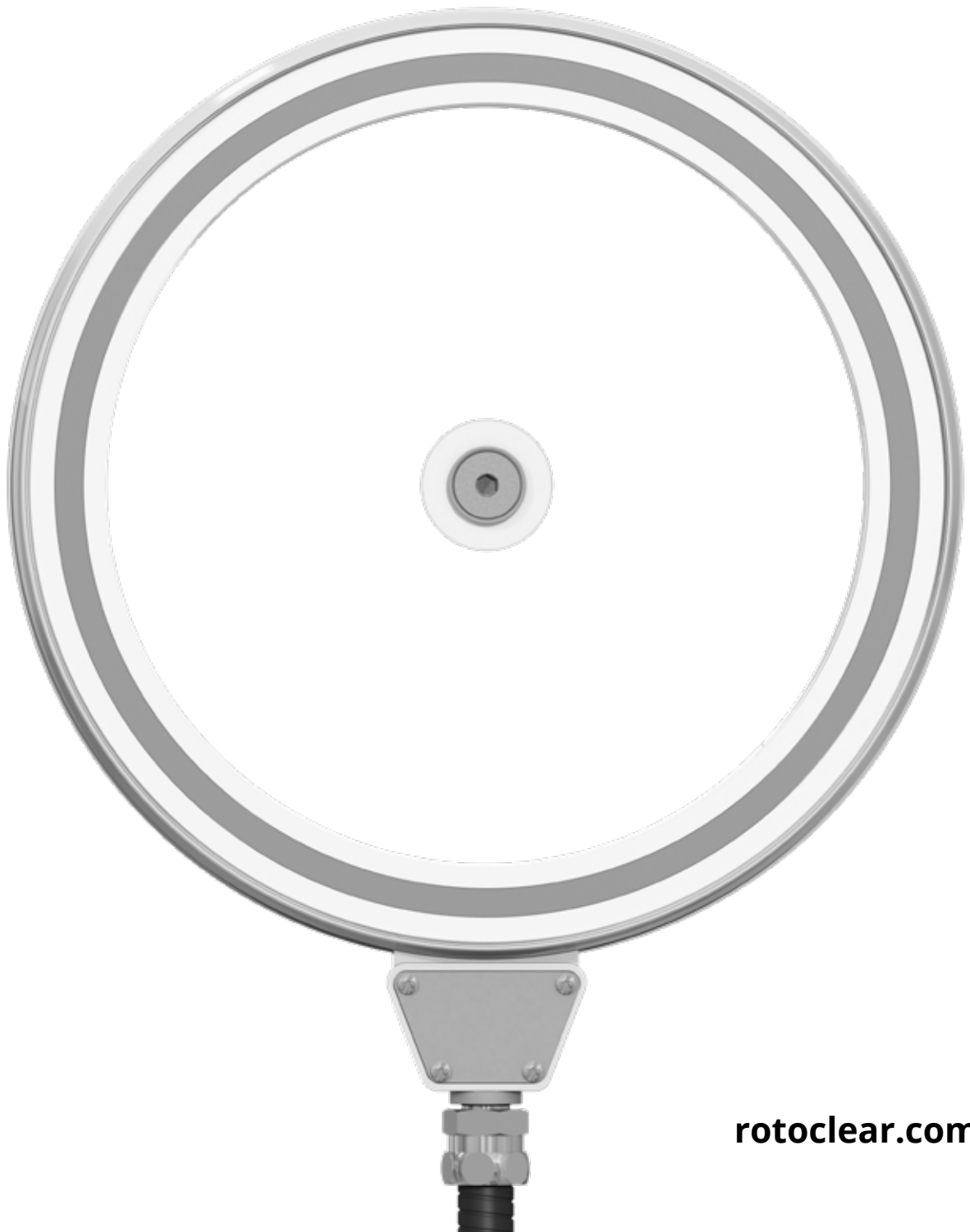
Warranty: 1 year from the date of delivery (except wear parts)

Country of origin: Germany
Customs goods number: 76101000
For EU (except Germany):
Tax-free intra community supply

Pricelist valid from April 1st 2018

ROTO  CLEAR

great perspective
for your component



rotoclear.com