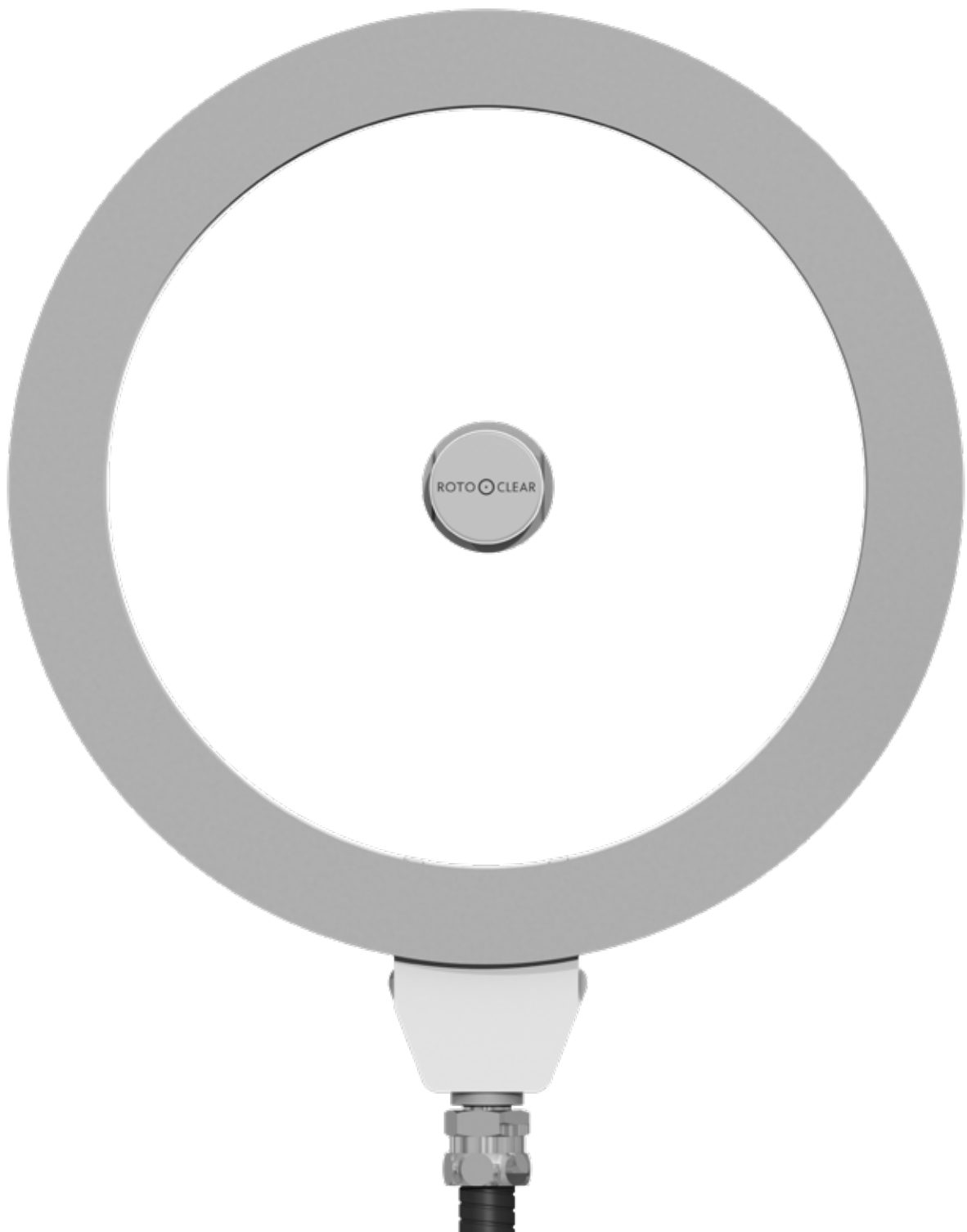


ROTO CLEAR

The original
reinvented





A clear view of the production processes under the toughest milling conditions. The spinning window is an approved system to keep inspection window clean and thus to ensure continuous control of work flow. Rotoclear is suitable for all kinds of metal cutting machines such as turning centers, milling machines, including machining centers and test stands.

A rotating disc flings off striking coolants and cuttings, whether water-soluble or water-insoluble. This enables the operator to have a clear view into the processing area at all times – thus guaranteeing safety according to the applicable safety regulations.



Lowest installation height in the world

Maximum field of view

Revolutionary drive concept

Rotor can be changed in less than a minute

Easy to retrofit

History

Rotoclear S (P1620)

is no longer in production, and only spare parts are still available.

Rotoclear S2 (P10850)

is compatible with the predecessor Rotoclear S and only differs in terms of installation depth. It also requires a 282mm cutout in the window. It will only remain partially available for special applications. Spare parts are available.

Rotoclear S3 (P11500)

is optimized for the latest conditions in tool machines and offers advantages as compared to the Rotoclear S / S2 and competing products. The device is mounted to the machine window by a bonding or screw flange.

Rotoclear S3 does not require a cutout in the window.

The machine window's safety function is retained, but the device is not compatible with Rotoclear S / S2.

Update

If you have a 282 mm cutout in the window for Roto-clear S / S2, then there are two options:

1. For safety reasons, the machine window must be replaced on a regular basis. If necessary, obtain information from the tool machine manufacturer. If a replacement is coming up, order a new window without a cutout and either install the

Rotoclear S3 – Screw version

Order number: 76314

or the

Rotoclear S3 – Bonding version

Order number: 76316

2. If a replacement is not coming up, the Rotoclear S3 can be installed in the cutout in the window with the help of a special adapter.

Kit „Replacement for S and S2“

Suitable for windows with 282 mm cutout.

The kit “Replacement for S and S2” fits panes with a thickness of 6-17 mm. You will need 40 mm of space behind the pane. Be especially sure to check this if

Rotoclear S / S2 Type 500 had previously been installed. If Rotoclear S / S2 Type 600 was used, then installation can be carried out without trouble.

Order number: 93558

Total weight incl. packaging: 7.4 kg

Packaging dimensions: 35x32x14 cm

Included in delivery:

- 1x Rotoclear S3 – Basic unit (rotor and stator)
- 1x Adapter flange (6-17mm clamping range)
- 1x Flange for machine window
- 1x Flange for safety pane
- 1x Power cable (10m, 2 x 0.75mm²)
- 10x Cylinder head screw (M5x25 TX10 VA super-flat head)
- 24x Cylinder head screw M5x16
- 12x Cylinder head screw M5x20
- 12x Cylinder head screw M5x25
- 1x Safety pane 2 years
- 1x Cable bushing M16x1.5
- 1x Operating manual DE-EN

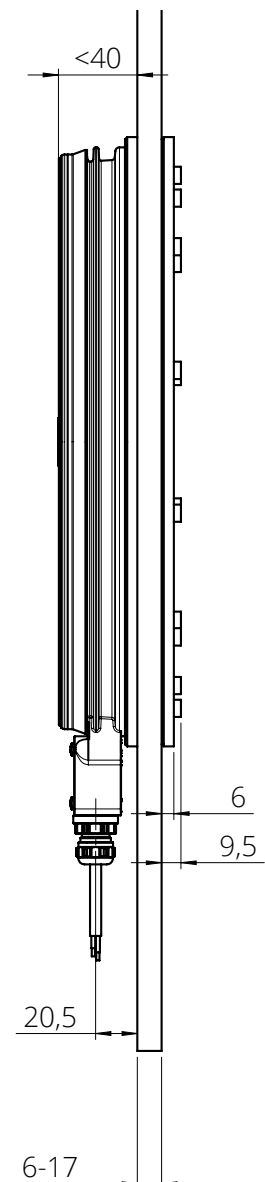
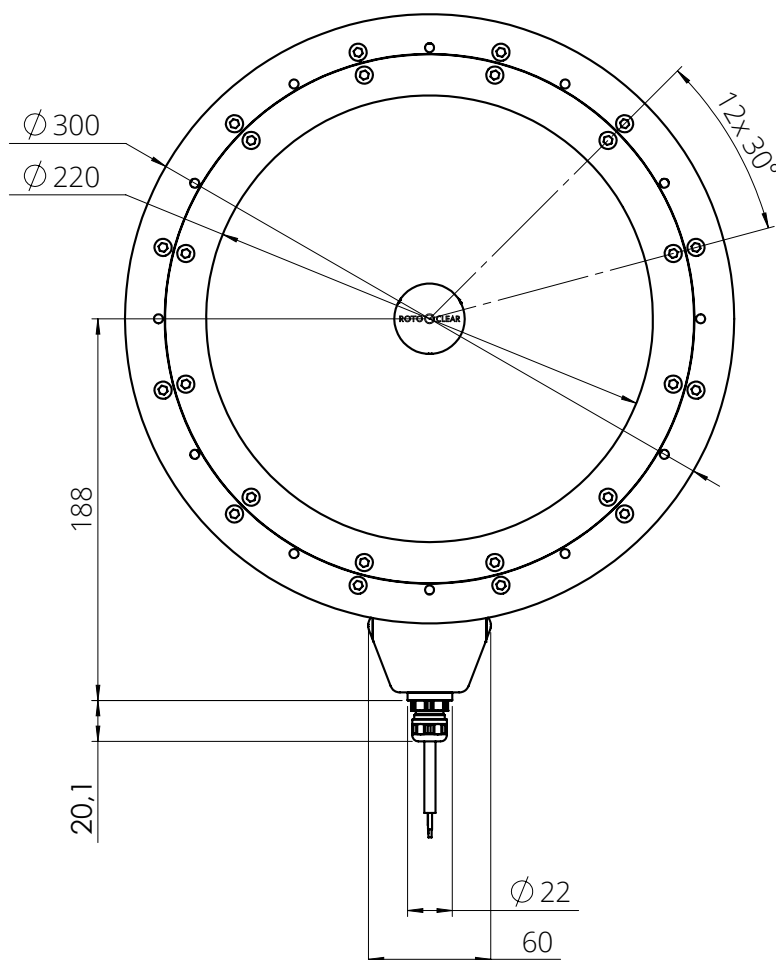
If you have to replace the machine window at a later point in time due to the replacement interval, order the new window without the 282 mm cutout. You can install Rotoclear S3 the conventional way – without the adapter flange – on a new pane. A compressed air supply will be necessary in this case.

Contact us for advice and the necessary accessories.

Installation

Nearly every Rotoclear S or S2 can be replaced with the kit „Replacement for S and S2“. It is compatible with Type 600, which is being replaced completely. Type 500 can be replaced if at least 40mm of installation space is available.

Rotoclear S / S2 Type 500 is connected externally. You can use the cable bushing to run the cable through the polycarbonate pane.



Spare parts and accessories

Additional accessories are needed for certain installation situations.

You will also find the right spare panes for replacing the safety panes used.

Cable bushing

If old power connection for Rotoclear S / S2 Type 500 is used.

Fits panes or plates of thickness 2-17mm

Order number: 98589

Spacing ring 3mm

For installation in sheet metal so that the adapter can also be used for wall thicknesses thinner than 6 mm.

Order number: 60837

Safety pane 2 years

Replacement interval of 2 years

Ø235 x 12 mm

Order number: 10859

Safety pane 5 years

Replacement interval of 5 years

Ø235 x 12 mm, laminated double-sided

Order number: 18075

Rotoclear S3 as replacement for S and S2 is operated without sealing air. This will suffice in almost all cases. However, if the conditions are too extreme, then sealing air supply can be retrofitted at

any time. A pressure gauge and control valve are available for precise sealing air adjustment so that the pressure needed at the stator can be set precisely.

Special-purpose solutions

Special-purpose kits for the installation of Rotoclear into a sheet metal wall or into a curved window are available.

For further information or technical advice regarding installation, do not hesitate to contact us or visit us on www.rotoclear.com.

Order

Sales and distribution

Markus Reiss

Phone: +49 6221 506-192

Fax: +49 6221 506-29129

markus.reiss@rotoclear.com

Development

Manuel Linnenschmidt

Phone: +49 6221 506-133

Fax: +49 6221 506-29133

manuel.linnenschmidt@rotoclear.com

Distributors

www.rotoclear.com/distributors

Delivery times

All our products are usually available from stock and can be delivered within one working week.

Please ask for delivery times for higher quantities separately.

Shipment and conditions

Prices subject to VAT.
Payment within 30 days net.

EU-wide: Free Delivery (CIP)
World-wide: Delivery ex works including packaging (EXW)

We confirm to provide our services and supplies solely on the basis of our [General Conditions of Sale](#).
No further agreements exist.

Warranty: 1 year from the date of delivery (except wear parts)

Country of origin: Germany
Customs goods number: 76101000
For EU (except Germany):
Tax-free intra community supply

Price list valid from April 1st 2018.

Great perspective
for your component

